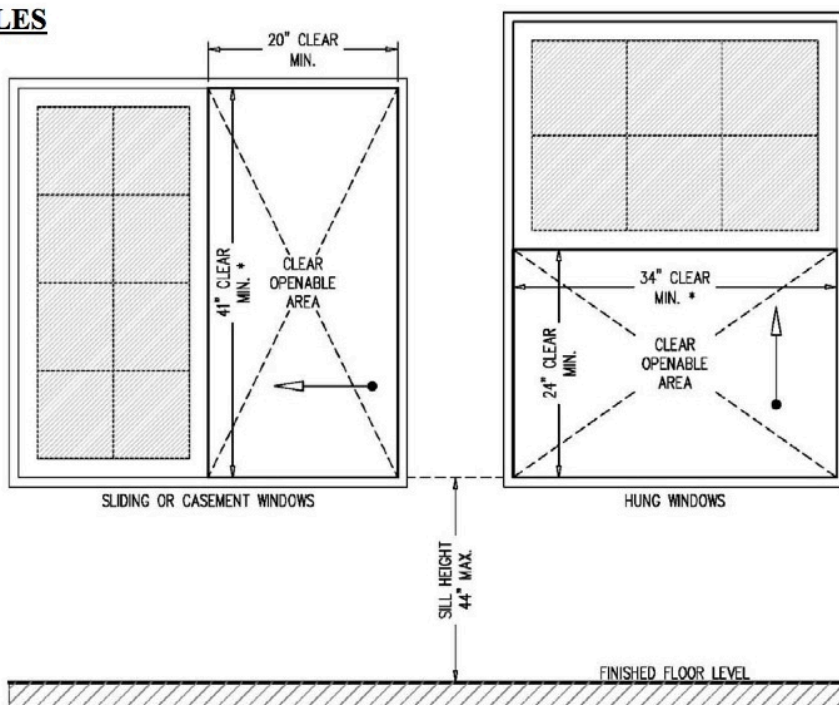


2019 EGRESS WINDOWS

CRC Section R310 – Basements, habitable attics and every sleeping room shall have not less than one operable emergency escape and rescue opening. The window (or door) shall be openable from the inside without the use of separate tools. Escape openings shall have a minimum net clear area of 5.7 square feet (5.0 S/F on ground floor). The net clear height of the opening shall be not less than 24 inches and the minimum net clear opening width dimension shall be 20 inches. Where a window is provided as the emergency escape and rescue opening, it shall have the bottom of the clear opening not greater than 44 inches measured from the floor.

EXAMPLES



PLEASE NOTE: The egress opening is a net clear opening. The actual clear opening is always less than the “call-out” size or rough opening dimensions due to the size of the window frame. For example, a 4 foot (48”) high single-hung window will not provide the required 24” clear height due to the width of the window frame.

*= Indicates the minimum dimension required to meet the minimum area requirement of 5.7 square feet for the above example (5.7 SF=820.2 square inches).

Before starting any window replacement project, please call our office to verify if a permit is required.

Building Division Counter is open between the hours of 7:30 a.m. and 5:30 p.m. (closed for lunch 11:30 a.m. - 12:30 p.m.) Monday through Thursday. City Hall and the Building Division counter are closed on alternating Fridays ([see calendar](#)). Our Friday hours are 8:00 a.m. – 5:00 p.m. (closed for lunch 11:30 a.m. - 12:30 p.m.).

*****Please contact the Building Division if you have any questions or concerns at (858) 668-4645 or building@poway.org*****